

SydCup 4 2012-11-17

Staffanstorp

Results

Strukna (0)

F13-44 (4)

- | | |
|--------------------|--------------------|
| 1. Linn STENBERG | Staffanstorps JK |
| 2. Nikita REITZ | Österlen Budoklubb |
| 3. Emma HENNERFORS | Staffanstorps JK |

P13-32 (5)

- | | |
|----------------------|------------------|
| 1. Oscar JONASSON | Staffanstorps JK |
| 2. Esben METSCHZ | Lugi JK |
| 3. Sebastian ELLHULT | Staffanstorps JK |

P13-35 (5)

- | | |
|-------------------|------------------|
| 1. Jan THUROW | Ueckermünde |
| 2. Alfred HANSSON | Staffanstorps JK |
| 3. Pontus SÖREM | Staffanstorps JK |

P13-42 (6)

- | | |
|--------------------|-------------|
| 1. Carl BJÖRKLUND | Borås JK |
| 2. Emil HENRIKSSON | Borås JK |
| 3. Marek SCHOLZ | Ueckermünde |

P13-51 (5)

- | | |
|--------------------|------------------|
| 1. Axel OSCARSSON | Lugi JK |
| 2. Kevin TORKAR | Staffanstorp JK |
| 3. Victor KARLSSON | Staffanstorps JK |

F15-44 (3)

- | | |
|------------------|--------------------|
| 1. Linn STENBERG | Staffanstorps JK |
| 2. Nikita REITZ | Österlen Budoklubb |
| 3. Nelly SCHMITZ | Lugi JK |

F15-48 (8)

- | | |
|--------------------|------------------|
| 1. Emma HENRIKSSON | Borås JK |
| 2. Elin JOHANSSON | Staffanstorps JK |
| 3. Nadine VOGT | KSV Grimmene.V. |
| 3. Elin STIGBORG | Staffanstorps JK |

F15-63 (4)

- | | |
|-----------------------|------------------|
| 1. Elina HANSSON | Staffanstorps JK |
| 2. Nadine PIETSCHMANN | KSV Grimmene.V. |
| 3. Henritta SUNQVIST | Borås JK |

P15-38 (5)

- | | |
|-------------------|------------------|
| 1. Alfred HANSSON | Staffanstorps JK |
| 2. Jan THUROW | Ueckermünde |
| 3. Marek SCHOLZ | Ueckermünde |

P15-42 (6)

- | | |
|---------------------|----------|
| 1. Gustav EDVINSSON | Borås JK |
| 2. Carl BJÖRKLUND | Borås JK |
| 3. Jacob JOHANSSON | Borås JK |

P15-55 (8)

- | | |
|-------------------|------------------|
| 1. Paul PÄPLOW | KSV Grimmene.V. |
| 2. Oscar FRIBING | Staffanstorps JK |
| 3. Alex MEIER | KSV Grimmene.V. |
| 3. Carl EDVINSSON | Borås JK |

P15-60 (3)

- | | |
|----------------------|------------------|
| 1. Dan JOHANSSON | Borås JK |
| 2. Theodor MALMQVIST | Varbergs JK |
| 3. Ivar BJÖRKQVIST | Staffanstorps JK |

P15-66 (3)

- | | |
|----------------------|------------------|
| 1. Mattias JOHANSSON | Lugi JK |
| 2. Dennis STRAND | Staffanstorps JK |
| 3. Johan HENNINGSSON | Lugi JK |

P15+66 (4)

- | | |
|--------------------|-----------------|
| 1. Ludvig ANTMAN | Södra Sandby JK |
| 2. Linus WERMEN | Lugi JK |
| 3. Gustaf PALMBERG | Lugi JK |

F17-48 (3)

- | | |
|--------------------|------------------|
| 1. Emma HENRIKSSON | Borås JK |
| 2. Laura HOXHAJ | Staffanstorps JK |
| 3. Elin STIGBORG | Staffanstorps JK |

F17-52 (3)

- | | |
|--------------------|-------------|
| 1. Nellie EINSTEIN | Borås JK |
| 2. Laura SCHMITZ | Lugi JK |
| 3. Stina PERSSON | JK National |

F17-63 (7)

- | | |
|-----------------------|------------------|
| 1. Tove THANING | Staffanstorps JK |
| 2. Elina HANSSON | Staffanstorps JK |
| 3. Ida ENGVALL | GAK Enighet |
| 3. Nadine PIETSCHMANN | KSV Grimmene.V. |

P17-55 (9)

- | | |
|-----------------------|-------------------|
| 1. Oskar JASKARI | Olofströms JK |
| 2. Johan ELIASSON | GF Idrott Judosek |
| 3. Maximilian SCHMITT | KSV Grimmene.V. |
| 3. Paul PÄPLOW | KSV Grimmene.V. |

P17-60 (5)

- | | |
|---------------------|-----------------|
| 1. Ole PREHS | KSV Grimmene.V. |
| 2. Willam BJÖRKLUND | Borås JK |
| 3. Martin NILSSON | JK National |

P17-66 (3)

- | | |
|----------------------|------------------|
| 1. Viktor SMEDBERG | Staffanstorps JK |
| 2. Mattias JOHANSSON | Lugi JK |
| 3. Johan HENNINGSSON | Lugi JK |

P17-73 (6)

- | | |
|--------------------------------|--------------------------------|
| 1. Christoffer AHL | Staffanstorps JK |
| 2. Oliver sachse SKRUBBELTRANG | Helsingør Judo & Ju-Jutsu Klub |
| 3. Tor HERMANSEN | Gladsaxe Judo Klub |

P17+81 (4)

- | | |
|------------------|------------------|
| 1. Carlo STÜHLE | KSV Grimmene.V. |
| 2. Armin DIDIC | Staffanstorps JK |
| 3. Tim NORDSTRÖM | Staffanstorps JK |

D20-70 (3)

- | | |
|---------------------|-----------------|
| 1. Nellie EINSTEIN | Borås JK |
| 2. Josefine FREITAG | KSV Grimmene.V. |
| 3. Lisa KRAUSE | KSV Grimmene.V. |

H20-66 (6)

- | | |
|------------------------------|------------------|
| 1. David LUNDGREN | Staffanstorps JK |
| 2. Viktor SMEDBERG | Staffanstorps JK |
| 3. Willam BJÖRKLUND | Borås JK |
| 3. William WILTGREN JOHNSSON | Staffanstorps JK |

H20-73 (4)

- | | |
|----------------------|------------------|
| 1. Victor BUSCH | Staffanstorps JK |
| 2. Robin HENNINGSSON | Kristianstad JK |
| 3. Albert SALLING | Staffanstorps JK |

H20-81 (4)

- | | |
|-----------------|------------------|
| 1. Noa VON BAHR | Staffanstorps JK |
| 2. Johan GROTH | KSV Grimmene.V. |
| 3. Armin DIDIC | Staffanstorps JK |

H20-90 (5)

- | | |
|--------------------|------------------|
| 1. Andreas OHLSSON | Staffanstorps JK |
| 2. Carlo STÜHLE | KSV Grimmene.V. |
| 3. Omar KRIVOSIC | Växjö JK |

D-57 (2)

- | | |
|---------------------|-----------------|
| 1. Josefine FREITAG | KSV Grimmene.V. |
| 2. Hélène TABÈZE | Lugi JK |

D+57 (3)

- | | |
|-------------------------|------------------|
| 1. Jennie ANDRÉASON | Staffanstorps JK |
| 2. Evelina SVENNINGSSON | JK National |
| 3. Lisa KRAUSE | KSV Grimmene.V. |

H-73 (6)

- | | |
|--------------------|--------------------------------|
| 1. Victor BUSCH | Staffanstorps JK |
| 2. Arber SADRIA | Växjö JK |
| 3. Mathias HOFMANN | Helsingør Judo & Ju-Jutsu Klub |
| 3. Albert SALLING | Staffanstorps JK |

H-81 (8)

- | | |
|-----------------|--------------------|
| 1. Kasper BÜLOW | Amager Judo |
| 2. Mikkel BÜLOW | Amager Judo |
| 3. Johan GROTH | KSV Grimmene.V. |
| 3. Jonas KOFOED | Gladsaxe Judo Klub |

H-90 (8)

- | | |
|----------------------|--------------------|
| 1. Damien HANNERZ | Gladsaxe Judo Klub |
| 2. Jonas HJELT | Kristianstad JK |
| 3. Robert LARSSON | Wemmenhögs Budof. |
| 3. Andreas STEINBERG | Amager Judo |

H-100 (3)

- | | |
|-------------------|-------------------|
| 1. Martin JÄSCHKE | KSV Grimmene.V. |
| 2. Karl BAKER | Lugi JK |
| 3. David LÄTT | Wemmenhögs Budof. |

HVÄ+85 (5)

- | | |
|-------------------|-------------------|
| 1. Jonas HJELT | Kristianstad JK |
| 2. Karl BAKER | Lugi JK |
| 3. Robert LARSSON | Wemmenhögs Budof. |

SydCup 4 2012-11-17

Staffanstorp

Medals

Club	I	II	III	Competitors
1. Staffanstorps JK	14	8	12	55
2. Borås JK	7	3	4	16
3. KSV Grimmene.V.	5	4	8	24
4. Lugi JK	2	7	4	17
5. Kristianstad JK	1	2	0	7
6. Ueckermünde	1	1	2	4
7. Amager Judo	1	1	1	4
8. Gladsaxe Judo Klub	1	0	2	9
9. Olofströms JK	1	0	0	3
9. Södra Sandby JK	1	0	0	2
11. Österlen Budoklubb	0	2	0	3
12. JK National	0	1	2	10
13. Helsingør Judo & Ju-Jutsu Klub	0	1	1	2
13. Växjö JK	0	1	1	4
15. GF Idrott Judosek	0	1	0	2
15. Staffanstorp JK	0	1	0	1
15. Varbergs JK	0	1	0	3
18. Wemmenhögs Budof.	0	0	3	4
19. GAK Enighet	0	0	1	2
20. Hillerød Judo	0	0	0	1
20. Höörs Judoklubb	0	0	0	1
20. Kallinge Judoclub	0	0	0	4
20. Sakura Judoklubb	0	0	0	1
20. Trelleborgs Budokai	0	0	0	1
20.	0	0	0	1

SydCup 4 2012-11-17 Staffanstorp D+57

Competitors: 3

Competitors

#	Name	Grade	Club	1	2	3	Wins	Pts	Pos
1	Evelina SVENNINGSSON	1.dan	JK National			10	1	10	2
2	Jennie ANDRÉASON	1.dan	Staffanstorps JK	10		10	2	20	1
3	Lisa KRAUSE	2.kyu	KSV Grimmene.V.				0	0	3

Matches

Match	White			Blue	Result	Time
1	Evelina SVENNINGSSON	1	2	Jennie ANDRÉASON	0 - 10	2:10
2	Evelina SVENNINGSSON	1	3	Lisa KRAUSE	10 - 0	2:44
3	Jennie ANDRÉASON	2	3	Lisa KRAUSE	10 - 0	1:47

Results

Pos	Name
1	Jennie ANDRÉASON, Staffanstorps JK
2	Evelina SVENNINGSSON, JK National
3	Lisa KRAUSE, KSV Grimmene.V.

SydCup 4 2012-11-17 Staffanstorp D-57

Competitors: 2

Competitors

#	Name	Grade	Club	1	2	1	2	1	2	Wins	Pts	Pos
1	Josefine FREITAG	2.kyu	KSV Grimmene.V.		10				10	2	20	1
2	Hélène TABÈZE	1.kyu	Lugi JK			10				1	10	2

Matches

Match	White			Blue	Result	Time
1	Josefine FREITAG	1	2	Hélène TABÈZE	10 - 0	0:28
2	Josefine FREITAG	1	2	Hélène TABÈZE	0 - 10	0:23
3	Josefine FREITAG	1	2	Hélène TABÈZE	10 - 0	0:40

Results

Pos	Name
1	Josefine FREITAG, KSV Grimmene.V.
2	Hélène TABÈZE, Lugi JK

SydCup 4 2012-11-17 Staffanstorp H-73

Competitors: 6

Competitors A

#	Name	Grade	Club	1	2	3	Wins	Pts	Pos
1	Mathias HOFMANN	1.kyu	Helsingør Judo & Ju-Jutsu Klub	10			2	20	1
2	Albert SALLING	1.dan	Staffanstorps JK			10	1	10	2
3	Mattias KARLSSON	3.kyu	Varbergs JK				0	0	3

Matches A

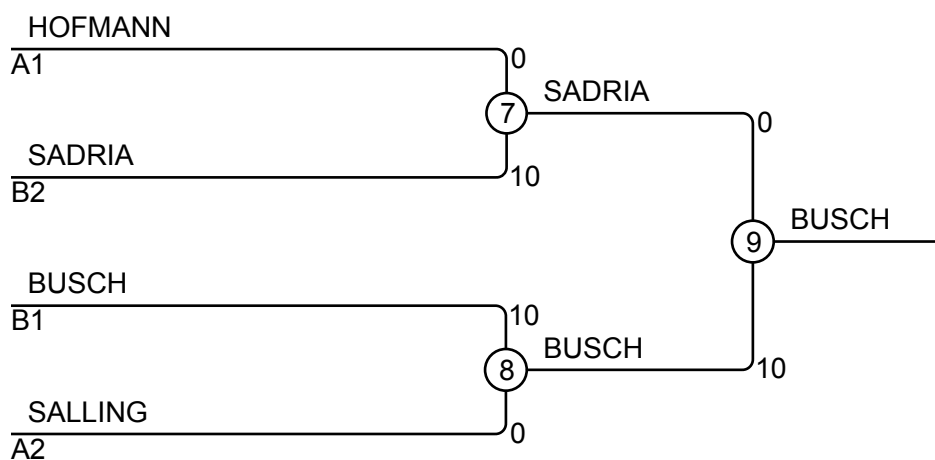
Match	White	Blue	Result	Time
1	Mathias HOFMANN 1 2	Albert SALLING	10 - 0	1:47
3	Mathias HOFMANN 1 3	Mattias KARLSSON	10 - 0	3:34
5	Albert SALLING 2 3	Mattias KARLSSON	10 - 0	1:52

Competitors B

#	Name	Grade	Club	4	5	6	Wins	Pts	Pos
4	Alhassan RASHID	1.kyu	Österlen Budoklubb				0	0	3
5	Arber SADRIA	1.kyu	Växjö JK	10			1	10	2
6	Victor BUSCH	1.dan	Staffanstorps JK	10	10		2	20	1

Matches B

Match	White	Blue	Result	Time
2	Alhassan RASHID 4 5	Arber SADRIA	0 - 10	2:12
4	Alhassan RASHID 4 6	Victor BUSCH	0 - 10	3:12
6	Arber SADRIA 5 6	Victor BUSCH	0 - 10	3:55



Results

Pos	Name
1	Victor BUSCH, Staffanstorps JK
2	Arber SADRIA, Växjö JK
3	Mathias HOFMANN, Helsingør Judo & Ju-Jutsu Klub
3	Albert SALLING, Staffanstorps JK

SydCup 4 2012-11-17 Staffanstorp H-81

Competitors: 8

Competitors A

#	Name	Grade	Club	1	2	3	4	Wins	Pts	Pos
1	Noa VON BAHR	1.dan	Staffanstorps JK					0	0	4
2	Kasper BÜLOW	1.kyu	Amager Judo	10		10	10	3	30	1
3	Jonas KOFOED	1.kyu	Gladsaxe Judo Klub	10			10	2	20	2
4	Marcus NILSSON	1.kyu	Höørs Judoklubb	10				1	10	3

Matches A

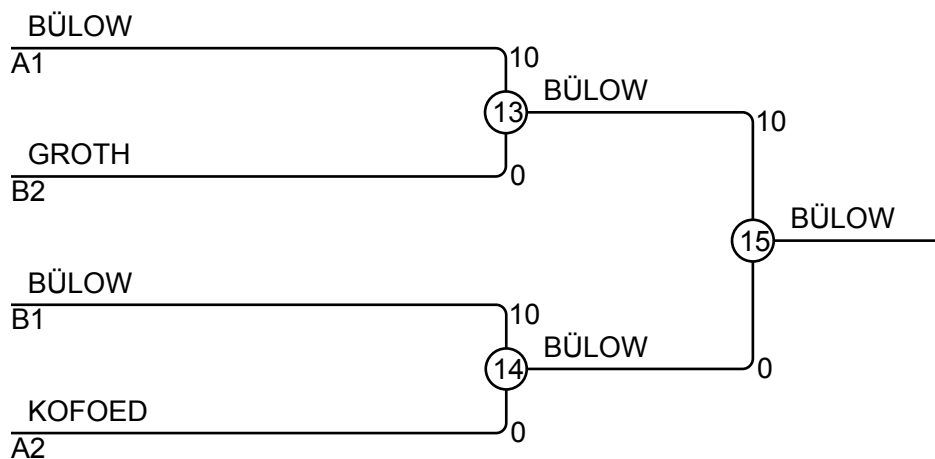
Match	White	Blue	Result	Time
1	Noa VON BAHR 1 2	Kasper BÜLOW	0 - 10	1:29
3	Jonas KOFOED 3 4	Marcus NILSSON	10 - 0	1:01
5	Noa VON BAHR 1 3	Jonas KOFOED	0 - 10	3:36
7	Kasper BÜLOW 2 4	Marcus NILSSON	10 - 0	1:17
9	Noa VON BAHR 1 4	Marcus NILSSON	0 - 10	0:17
11	Kasper BÜLOW 2 3	Jonas KOFOED	10 - 0	0:14

Competitors B

#	Name	Grade	Club	5	6	7	8	Wins	Pts	Pos
5	Paul MALMGREN	3.kyu	Trelleborgs Budokai					0	0	4
6	Johannes LINDGREN	1.dan	JK National	10				1	10	3
7	Johan GROTH	2.kyu	KSV Grimmene.V.	10	10			2	20	2
8	Mikkel BÜLOW	1.kyu	Amager Judo	10	10	10		3	30	1

Matches B

Match	White	Blue	Result	Time
2	Paul MALMGREN 5 6	Johannes LINDGREN	0 - 10	0:14
4	Johan GROTH 7 8	Mikkel BÜLOW	0 - 10	4:21
6	Paul MALMGREN 5 7	Johan GROTH	0 - 10	0:45
8	Johannes LINDGREN 6 8	Mikkel BÜLOW	0 - 10	2:14
10	Paul MALMGREN 5 8	Mikkel BÜLOW	0 - 10	1:43
12	Johannes LINDGREN 6 7	Johan GROTH	0 - 10	1:38



Results

Pos	Name
1	Kasper BÜLOW, Amager Judo
2	Mikkel BÜLOW, Amager Judo
3	Johan GROTH, KSV Grimmene.V.
3	Jonas KOFOED, Gladsaxe Judo Klub

SydCup 4 2012-11-17 Staffanstorp H-90

Competitors: 8

Competitors A

#	Name	Grade	Club	1	2	3	4	Wins	Pts	Pos
1	Andreas STEINBERG	1.kyu	Amager Judo			10	10	2	20	2
2	Damien HANNERZ	1.dan	Gladsaxe Judo Klub	5		10	10	3	25	1
3	Andreas OHLSSON	1.dan	Staffanstorps JK				10	1	10	3
4	Philip JOHANSSON	2.kyu	Sakura Judoklubb					0	0	4

Matches A

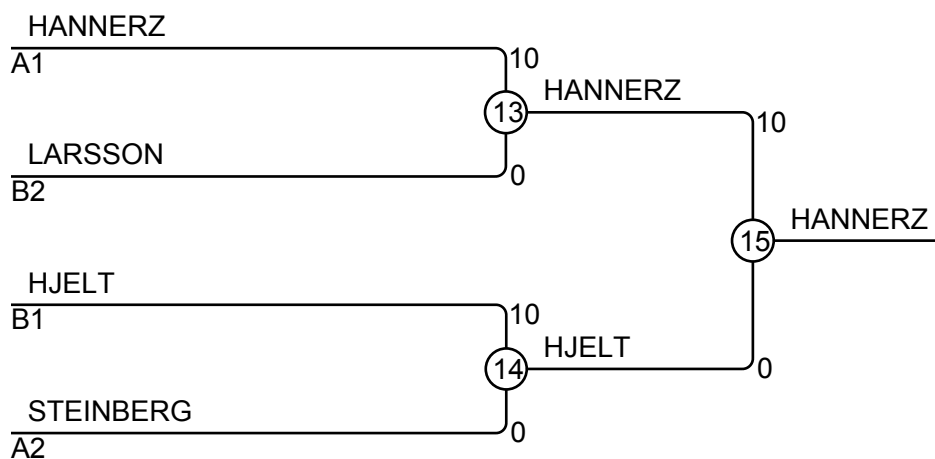
Match	White	Blue	Result	Time
1	Andreas STEINBERG 1 2	Damien HANNERZ	0 - 5	5:00
3	Andreas OHLSSON 3 4	Philip JOHANSSON	10 - 0	2:38
5	Andreas STEINBERG 1 3	Andreas OHLSSON	10 - 0	0:55
7	Damien HANNERZ 2 4	Philip JOHANSSON	10 - 0	2:28
9	Andreas STEINBERG 1 4	Philip JOHANSSON	10 - 0	0:32
11	Damien HANNERZ 2 3	Andreas OHLSSON	10 - 0	1:27

Competitors B

#	Name	Grade	Club	5	6	7	8	Wins	Pts	Pos
5	Robert LARSSON	2.dan	Wemmenhögs Budof.		10		10	2	20	2
6	Torbjörn FERDMAN	3.kyu	JK National					0	0	4
7	Jonas HJELT	1.dan	Kristianstad JK	10	10		10	3	30	1
8	Nicolai STUHR	1.kyu	Amager Judo		10			1	10	3

Matches B

Match	White	Blue	Result	Time
2	Robert LARSSON 5 6	Torbjörn FERDMAN	10 - 0	1:16
4	Jonas HJELT 7 8	Nicolai STUHR	10 - 0	1:35
6	Robert LARSSON 5 7	Jonas HJELT	0 - 10	0:48
8	Torbjörn FERDMAN 6 8	Nicolai STUHR	0 - 10	2:00
10	Robert LARSSON 5 8	Nicolai STUHR	10 - 0	1:21
12	Torbjörn FERDMAN 6 7	Jonas HJELT	0 - 10	0:54



Results

Pos	Name
1	Damien HANNERZ, Gladsaxe Judo Klub
2	Jonas HJELT, Kristianstad JK
3	Robert LARSSON, Wemmenhögs Budof.
3	Andreas STEINBERG, Amager Judo

SydCup 4 2012-11-17 Staffanstorp H-100

Competitors: 3

Competitors

#	Name	Grade	Club	1	2	3	Wins	Pts	Pos
1	Karl BAKER	1.kyu	Lugi JK		10		1	10	2
2	David LÄTT	1.kyu	Wemmenhögs Budof.				0	0	3
3	Martin JÄSCHKE	1.kyu	KSV Grimmene.V.	10	10		2	20	1

Matches

Match	White			Blue	Result	Time
1	Karl BAKER	1	2	David LÄTT	10 - 0	0:40
2	Karl BAKER	1	3	Martin JÄSCHKE	0 - 10	0:20
3	David LÄTT	2	3	Martin JÄSCHKE	0 - 10	1:05

Results

Pos	Name
1	Martin JÄSCHKE, KSV Grimmene.V.
2	Karl BAKER, Lugi JK
3	David LÄTT, Wemmenhögs Budof.

SydCup 4 2012-11-17 Staffanstorp HVÄ+85

Competitors: 5

Competitors

#	Name	Grade	Club	1	2	3	4	5	Wins	Pts	Pos
1	Torbjörn FERDMAN	3.kyu	JK National						0	0	5
2	Karl BAKER	1.kyu	Lugi JK	10		10		10	3	30	2
3	Khuram MALIK	1.dan	Gladsaxe Judo Klub	5					1	5	4
4	Jonas HJELT	1.dan	Kristianstad JK	10	1	10		10	4	31	1
5	Robert LARSSON	2.dan	Wemmenhögs Budof.	10		5			2	15	3

Matches

Match	White		Blue		Result	Time
1	Jonas HJELT	4	5	Robert LARSSON	10 - 0	1:44
2	Torbjörn FERDMAN	1	2	Karl BAKER	0 - 10	1:41
3	Khuram MALIK	3	4	Jonas HJELT	0 - 10	4:00
4	Torbjörn FERDMAN	1	5	Robert LARSSON	0 - 10	0:20
5	Karl BAKER	2	3	Khuram MALIK	10 - 0	0:32
6	Torbjörn FERDMAN	1	4	Jonas HJELT	0 - 10	1:16
7	Khuram MALIK	3	5	Robert LARSSON	0 - 5	3:00
8	Karl BAKER	2	4	Jonas HJELT	0 - 1	5:00
9	Torbjörn FERDMAN	1	3	Khuram MALIK	0 - 5	3:00
10	Karl BAKER	2	5	Robert LARSSON	10 - 0	2:03

Results

Pos	Name
1	Jonas HJELT, Kristianstad JK
2	Karl BAKER, Lugi JK
3	Robert LARSSON, Wemmenhögs Budof.
4	Khuram MALIK, Gladsaxe Judo Klub
5	Torbjörn FERDMAN, JK National

SydCup 4 2012-11-17 Staffanstorp D20-70

Competitors: 3

Competitors

#	Name	Grade	Club	1	2	3	Wins	Pts	Pos
1	Josefine FREITAG	2.kyu	KSV Grimmene.V.		10		1	10	2
2	Lisa KRAUSE	2.kyu	KSV Grimmene.V.				0	0	3
3	Nellie EINSTEIN	1.kyu	Borås JK	10	7		2	17	1

Matches

Match	White			Blue	Result	Time
1	Josefine FREITAG	1	2	Lisa KRAUSE	10 - 0	1:14
2	Josefine FREITAG	1	3	Nellie EINSTEIN	0 - 10	0:39
3	Lisa KRAUSE	2	3	Nellie EINSTEIN	0 - 7	4:00

Results

Pos	Name
1	Nellie EINSTEIN, Borås JK
2	Josefine FREITAG, KSV Grimmene.V.
3	Lisa KRAUSE, KSV Grimmene.V.

SydCup 4 2012-11-17 Staffanstorps F13-44

Competitors: 4

Competitors

#	Name	Grade	Club	1	2	3	4	Wins	Pts	Pos
1	Linn STENBERG	3.kyu	Staffanstorps JK			10	10	2	20	1
2	Emma HENNERFORS	3.kyu	Staffanstorps JK	5			5	2	10	3
3	Nikita REITZ	3.kyu	Österlen Budoklubb		10		10	2	20	2
4	Lian LEOPOLD	4.kyu	Kallinge Judoclub					0	0	4

Matches

Match	White		Blue		Result	Time
1	Linn STENBERG	1	2	Emma HENNERFORS	0 - 5	2:00
2	Nikita REITZ	3	4	Lian LEOPOLD	10 - 0	1:57
3	Linn STENBERG	1	3	Nikita REITZ	10 - 0	0:31
4	Emma HENNERFORS	2	4	Lian LEOPOLD	5 - 0	2:00
5	Linn STENBERG	1	4	Lian LEOPOLD	10 - 0	2:00
6	Emma HENNERFORS	2	3	Nikita REITZ	0 - 10	0:09

Results

Pos	Name
1	Linn STENBERG, Staffanstorps JK
2	Nikita REITZ, Österlen Budoklubb
3	Emma HENNERFORS, Staffanstorps JK
4	Lian LEOPOLD, Kallinge Judoclub

SydCup 4 2012-11-17 Staffanstorp F15-44

Competitors: 3

Competitors

#	Name	Grade	Club	1	2	3	Wins	Pts	Pos
1	Nelly SCHMITZ	3.kyu	Lugi JK		10		1	10	3
2	Nikita REITZ	3.kyu	Österlen Budoklubb			10	1	10	2
3	Linn STENBERG	3.kyu	Staffanstorps JK	10			1	10	1

Matches

Match	White			Blue	Result	Time
1	Nelly SCHMITZ	1	2	Nikita REITZ	10 - 0	1:26
2	Nelly SCHMITZ	1	3	Linn STENBERG	0 - 10	2:44
3	Nikita REITZ	2	3	Linn STENBERG	10 - 0	0:36

Results

Pos	Name
1	Linn STENBERG, Staffanstorps JK
2	Nikita REITZ, Österlen Budoklubb
3	Nelly SCHMITZ, Lugi JK

SydCup 4 2012-11-17 Staffanstorp F15-48

Competitors: 8

Competitors A

#	Name	Grade	Club	1	2	3	4	Wins	Pts	Pos
1	Helena VOGT	4.kyu	KSV Grimmene.V.		10			1	10	3
2	Fanny HANSSON	4.kyu	Wemmenhögs Budof.					0	0	4
3	Emma HENRIKSSON	2.kyu	Borås JK	10	10		10	3	30	1
4	Elin STIGBORG	3.kyu	Staffanstorps JK	10	10			2	20	2

Matches A

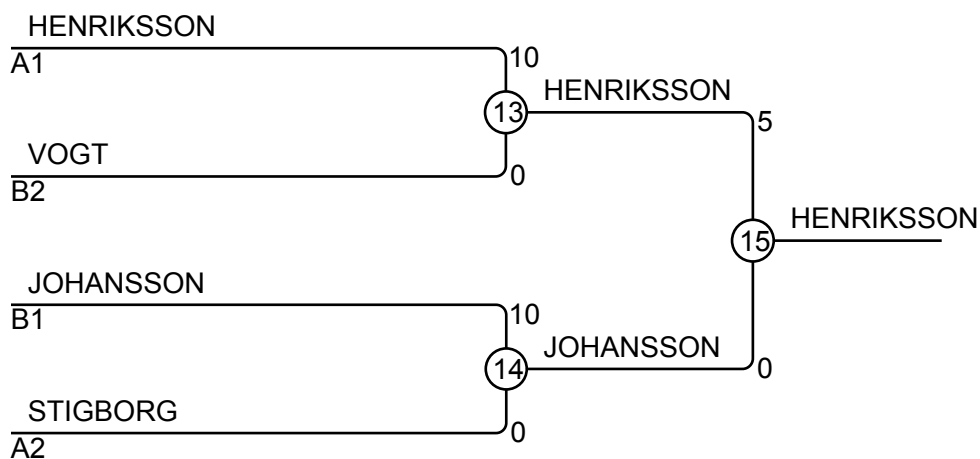
Match	White	Blue	Result	Time
1	Helena VOGT 1 2	Fanny HANSSON	10 - 0	1:00
3	Emma HENRIKSSON 3 4	Elin STIGBORG	10 - 0	1:25
5	Helena VOGT 1 3	Emma HENRIKSSON	0 - 10	0:20
7	Fanny HANSSON 2 4	Elin STIGBORG	0 - 10	2:09
9	Helena VOGT 1 4	Elin STIGBORG	0 - 10	0:41
11	Fanny HANSSON 2 3	Emma HENRIKSSON	0 - 10	1:05

Competitors B

#	Name	Grade	Club	5	6	7	8	Wins	Pts	Pos
5	Elin JOHANSSON	3.kyu	Staffanstorps JK		10	10	10	3	30	1
6	Clara MACARIO	2.kyu	Lugi JK				10	1	10	3
7	Nadine VOGT	4.kyu	KSV Grimmene.V.		5		10	2	15	2
8	Ida ANDERSEN	3.kyu	Hillerød Judo					0	0	4

Matches B

Match	White	Blue	Result	Time
2	Elin JOHANSSON 5 6	Clara MACARIO	10 - 0	0:18
4	Nadine VOGT 7 8	Ida ANDERSEN	10 - 0	1:35
6	Elin JOHANSSON 5 7	Nadine VOGT	10 - 0	2:37
8	Clara MACARIO 6 8	Ida ANDERSEN	10 - 0	1:10
10	Elin JOHANSSON 5 8	Ida ANDERSEN	10 - 0	0:36
12	Clara MACARIO 6 7	Nadine VOGT	0 - 5	3:00



Results

Pos	Name
1	Emma HENRIKSSON, Borås JK
2	Elin JOHANSSON, Staffanstorps JK
3	Nadine VOGT, KSV Grimmene.V.
3	Elin STIGBORG, Staffanstorps JK

SydCup 4 2012-11-17 Staffanstorp F15-63

Competitors: 4

Competitors

#	Name	Grade	Club	1	2	3	4	Wins	Pts	Pos
1	Nadine PIETSCHMANN	4.kyu	KSV Grimmene.V.		10		10	2	20	2
2	Lisa RUTTLOFF	4.kyu	KSV Grimmene.V.					0	0	4
3	Elina HANSSON	2.kyu	Staffanstorps JK	10	10		10	3	30	1
4	Henritta SUNQVIST	3.kyu	Borås JK		7			1	7	3

Matches

Match	White		Blue		Result	Time
1	Nadine PIETSCHMANN	1	2	Lisa RUTTLOFF	10 - 0	1:12
2	Elina HANSSON	3	4	Henritta SUNQVIST	10 - 0	1:02
3	Nadine PIETSCHMANN	1	3	Elina HANSSON	0 - 10	1:43
4	Lisa RUTTLOFF	2	4	Henritta SUNQVIST	0 - 7	3:00
5	Nadine PIETSCHMANN	1	4	Henritta SUNQVIST	10 - 0	0:30
6	Lisa RUTTLOFF	2	3	Elina HANSSON	0 - 10	0:21

Results

Pos	Name
1	Elina HANSSON, Staffanstorps JK
2	Nadine PIETSCHMANN, KSV Grimmene.V.
3	Henritta SUNQVIST, Borås JK
4	Lisa RUTTLOFF, KSV Grimmene.V.

SydCup 4 2012-11-17 Staffanstorps F17-48

Competitors: 3

Competitors

#	Name	Grade	Club	1	2	3	Wins	Pts	Pos
1	Laura HOXHAI	1.kyu	Staffanstorps JK		10		1	10	2
2	Elin STIGBORG	2.kyu	Staffanstorps JK				0	0	3
3	Emma HENRIKSSON	2.kyu	Borås JK	7	10		2	17	1

Matches

Match	White			Blue	Result	Time
1	Laura HOXHAI	1	2	Elin STIGBORG	10 - 0	1:35
2	Laura HOXHAI	1	3	Emma HENRIKSSON	0 - 7	3:00
3	Elin STIGBORG	2	3	Emma HENRIKSSON	0 - 10	0:52

Results

Pos	Name
1	Emma HENRIKSSON, Borås JK
2	Laura HOXHAI, Staffanstorps JK
3	Elin STIGBORG, Staffanstorps JK

SydCup 4 2012-11-17 Staffanstorp F17-52

Competitors: 3

Competitors

#	Name	Grade	Club	1	2	3	Wins	Pts	Pos
1	Laura SCHMITZ	2.kyu	Lugi JK		10		1	10	2
2	Stina PERSSON	2.kyu	JK National				0	0	3
3	Nellie EINSTEIN	1.kyu	Borås JK	10	10		2	20	1

Matches

Match	White			Blue	Result	Time
1	Laura SCHMITZ	1	2	Stina PERSSON	10 - 0	0:15
2	Laura SCHMITZ	1	3	Nellie EINSTEIN	0 - 10	1:35
3	Stina PERSSON	2	3	Nellie EINSTEIN	0 - 10	0:45

Results

Pos	Name
1	Nellie EINSTEIN, Borås JK
2	Laura SCHMITZ, Lugi JK
3	Stina PERSSON, JK National

SydCup 4 2012-11-17 Staffanstorp F17-63

Competitors: 7

Competitors A

#	Name	Grade	Club	1	2	3	4	Wins	Pts	Pos
1	Tove THANING	1.kyu	Staffanstorps JK		10	10	10	3	30	1
2	Ebba HERRLANDER	4.kyu	Södra Sandby JK			5		1	5	3
3	Petra LEIFSDOTTIR	2.kyu	Kallinge Judoclub					0	0	4
4	Nadine PIETSCHMANN	4.kyu	KSV Grimmene.V.		10	7		2	17	2

Matches A

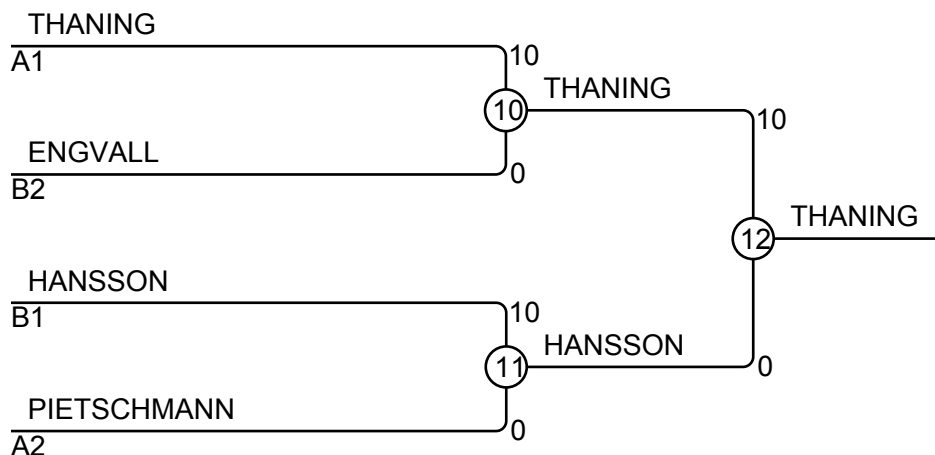
Match	White	Blue	Result	Time
1	Tove THANING 1	Ebba HERRLANDER 2	10 - 0	0:39
2	Petra LEIFSDOTTIR 3	Nadine PIETSCHMANN 4	0 - 7	3:00
4	Tove THANING 1	Petra LEIFSDOTTIR 3	10 - 0	2:19
5	Ebba HERRLANDER 2	Nadine PIETSCHMANN 4	0 - 10	1:36
7	Tove THANING 1	Nadine PIETSCHMANN 4	10 - 0	0:28
8	Ebba HERRLANDER 2	Petra LEIFSDOTTIR 3	5 - 0	3:00

Competitors B

#	Name	Grade	Club	5	6	7	Wins	Pts	Pos
5	Elina HANSSON	2.kyu	Staffanstorps JK		10	10	2	20	1
6	Ida ENGVALL	2.kyu	GAK Enighet			10	1	10	2
7	Linnea SJÖBERG	2.kyu	Lugi JK				0	0	3

Matches B

Match	White	Blue	Result	Time
3	Elina HANSSON 5	Ida ENGVALL 6	10 - 0	0:19
6	Elina HANSSON 5	Linnea SJÖBERG 7	10 - 0	1:26
9	Ida ENGVALL 6	Linnea SJÖBERG 7	10 - 0	1:48



Results

Pos	Name
1	Tove THANING, Staffanstorps JK
2	Elina HANSSON, Staffanstorps JK
3	Ida ENGVALL, GAK Enighet
3	Nadine PIETSCHMANN, KSV Grimmene.V.

SydCup 4 2012-11-17 Staffanstorps H20-66

Competitors: 6

Competitors A

#	Name	Grade	Club	1	2	3	Wins	Pts	Pos
1	William WILTGREN JOHNSSON	1.kyu	Staffanstorps JK			10	1	10	2
2	David LUNDGREN	1.dan	Staffanstorps JK	10		10	2	20	1
3	Johnny ANDERSSON	2.kyu	Kallinge Judoclub				0	0	3

Matches A

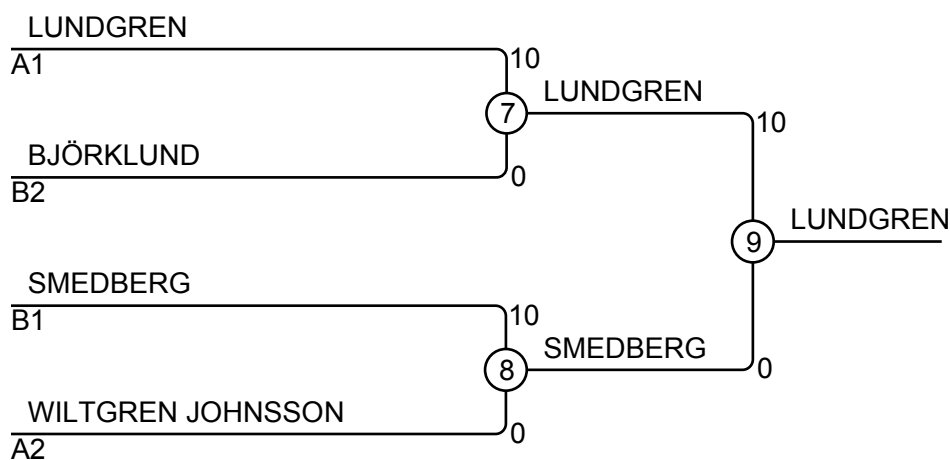
Match	White	Blue	Result	Time
1	William WILTGREN JOHNSSON 1 2	David LUNDGREN	0 - 10	0:27
3	William WILTGREN JOHNSSON 1 3	Johnny ANDERSSON	10 - 0	4:00
5	David LUNDGREN 2 3	Johnny ANDERSSON	10 - 0	0:43

Competitors B

#	Name	Grade	Club	4	5	6	Wins	Pts	Pos
4	Martin NILSSON	2.kyu	JK National				0	0	3
5	Willam BJÖRKLUND	1.kyu	Borås JK	10			1	10	2
6	Viktor SMEDBERG	1.dan	Staffanstorps JK	10	10		2	20	1

Matches B

Match	White	Blue	Result	Time
2	Martin NILSSON 4 5	Willam BJÖRKLUND	0 - 10	0:25
4	Martin NILSSON 4 6	Viktor SMEDBERG	0 - 10	1:01
6	Willam BJÖRKLUND 5 6	Viktor SMEDBERG	0 - 10	1:18



Results

Pos	Name
1	David LUNDGREN, Staffanstorps JK
2	Viktor SMEDBERG, Staffanstorps JK
3	Willam BJÖRKLUND, Borås JK
3	William WILTGREN JOHNSSON, Staffanstorps JK

SydCup 4 2012-11-17 Staffanstorps H20-73

Competitors: 4

Competitors

#	Name	Grade	Club	1	2	3	4	Wins	Pts	Pos
1	Albert SALLING	1.dan	Staffanstorps JK				5	1	5	3
2	Victor BUSCH	1.dan	Staffanstorps JK	10		10	10	3	30	1
3	Robin HENNINGSSON	1.kyu	Kristianstad JK	5			10	2	15	2
4	Christoffer AHL	1.kyu	Staffanstorps JK					0	0	4

Matches

Match	White		Blue		Result	Time
1	Albert SALLING	1	2	Victor BUSCH	0 - 10	3:07
2	Robin HENNINGSSON	3	4	Christoffer AHL	10 - 0	3:34
3	Albert SALLING	1	3	Robin HENNINGSSON	0 - 5	4:12
4	Victor BUSCH	2	4	Christoffer AHL	10 - 0	2:18
5	Albert SALLING	1	4	Christoffer AHL	5 - 0	4:00
6	Victor BUSCH	2	3	Robin HENNINGSSON	10 - 0	2:21

Results

Pos	Name
1	Victor BUSCH, Staffanstorps JK
2	Robin HENNINGSSON, Kristianstad JK
3	Albert SALLING, Staffanstorps JK
4	Christoffer AHL, Staffanstorps JK

SydCup 4 2012-11-17 Staffanstorp H20-81

Competitors: 4

Competitors

#	Name	Grade	Club	1	2	3	4	Wins	Pts	Pos
1	Philipp PIETSCHMANN	1.kyu	KSV Grimmene.V.					0	0	4
2	Johan GROTH	2.kyu	KSV Grimmene.V.				10	1	10	2
3	Noa VON BAHR	1.dan	Staffanstorps JK		5		5	2	10	1
4	Armin DIDIC	1.kyu	Staffanstorps JK					0	0	3

Matches

Match	White	Blue	Result	Time
1	Philipp PIETSCHMANN	Johan GROTH		
2	Noa VON BAHR	Armin DIDIC	5 - 0	4:00
3	Philipp PIETSCHMANN	Noa VON BAHR		
4	Johan GROTH	Armin DIDIC	10 - 0	0:24
5	Philipp PIETSCHMANN	Armin DIDIC		
6	Johan GROTH	Noa VON BAHR	0 - 5	4:00

Results

Pos	Name
1	Noa VON BAHR, Staffanstorps JK
2	Johan GROTH, KSV Grimmene.V.
3	Armin DIDIC, Staffanstorps JK
4	Philipp PIETSCHMANN, KSV Grimmene.V.

SydCup 4 2012-11-17 Staffanstorps H20-90

Competitors: 5

Competitors

#	Name	Grade	Club	1	2	3	4	5	Wins	Pts	Pos
1	Omar KRIVOSIC	1.kyu	Växjö JK				10	5	2	15	3
2	Carlo STÜHLE	2.kyu	KSV Grimmene.V.	7		10	10		2	17	2
3	Erik MÜLLER	4.kyu	KSV Grimmene.V.						0	0	5
4	Tim NORDSTRÖM	1.kyu	Staffanstorps JK			7			0	0	4
5	Andreas OHLSSON	1.dan	Staffanstorps JK		10		10		2	20	1

Matches

Match	White		Blue		Result	Time
1	Tim NORDSTRÖM	4	5	Andreas OHLSSON	0 - 10	1:17
2	Omar KRIVOSIC	1	2	Carlo STÜHLE	0 - 7	3:59
3	Erik MÜLLER	3	4	Tim NORDSTRÖM	0 - 7	4:00
4	Omar KRIVOSIC	1	5	Andreas OHLSSON	5 - 0	4:00
5	Carlo STÜHLE	2	3	Erik MÜLLER	10 - 0	1:22
6	Omar KRIVOSIC	1	4	Tim NORDSTRÖM	10 - 0	2:39
7	Erik MÜLLER	3	5	Andreas OHLSSON		
8	Carlo STÜHLE	2	4	Tim NORDSTRÖM	10 - 0	0:57
9	Omar KRIVOSIC	1	3	Erik MÜLLER		
10	Carlo STÜHLE	2	5	Andreas OHLSSON	0 - 10	2:11

Results

Pos	Name
1	Andreas OHLSSON, Staffanstorps JK
2	Carlo STÜHLE, KSV Grimmene.V.
3	Omar KRIVOSIC, Växjö JK
4	Tim NORDSTRÖM, Staffanstorps JK
5	Erik MÜLLER, KSV Grimmene.V.

SydCup 4 2012-11-17 Staffanstorps P13-32

Competitors: 5

Competitors

#	Name	Grade	Club	1	2	3	4	5	Wins	Pts	Pos
1	Sebastian ELLHULT	4.kyu	Staffanstorps JK		5		10		2	15	3
2	Esben METSCHZ	3.kyu	Lugi JK			10	7		2	17	2
3	Isac RIPSÄTER	4.kyu	Växjö JK	10					1	10	4
4	Elias LINDGREN	4.kyu	Staffanstorps JK			5			1	5	5
5	Oscar JONASSON	3.kyu	Staffanstorps JK	10	5	10	7		4	32	1

Matches

Match	White		Blue		Result	Time
1	Elias LINDGREN	4	5	Oscar JONASSON	0 - 7	2:00
2	Sebastian ELLHULT	1	2	Esben METSCHZ	5 - 0	2:00
3	Isac RIPSÄTER	3	4	Elias LINDGREN	0 - 5	2:00
4	Sebastian ELLHULT	1	5	Oscar JONASSON	0 - 10	2:00
5	Esben METSCHZ	2	3	Isac RIPSÄTER	10 - 0	1:09
6	Sebastian ELLHULT	1	4	Elias LINDGREN	10 - 0	1:09
7	Isac RIPSÄTER	3	5	Oscar JONASSON	0 - 10	1:46
8	Esben METSCHZ	2	4	Elias LINDGREN	7 - 0	2:57
9	Sebastian ELLHULT	1	3	Isac RIPSÄTER	0 - 10	1:28
10	Esben METSCHZ	2	5	Oscar JONASSON	0 - 5	2:43

Results

Pos	Name
1	Oscar JONASSON, Staffanstorps JK
2	Esben METSCHZ, Lugi JK
3	Sebastian ELLHULT, Staffanstorps JK
4	Isac RIPSÄTER, Växjö JK
5	Elias LINDGREN, Staffanstorps JK

SydCup 4 2012-11-17 Staffanstorps P13-35

Competitors: 5

Competitors

#	Name	Grade	Club	1	2	3	4	5	Wins	Pts	Pos
1	Max WENDT	4.kyu	Växjö JK		5				1	5	5
2	Olle HERMODSSON	3.kyu	Lugi JK					7	1	7	4
3	Jan THUROW	4.kyu	Ueckermünde	10	10		10	10	4	40	1
4	Alfred HANSSON	3.kyu	Staffanstorps JK	10	10			10	3	30	2
5	Pontus SÖREM	4.kyu	Staffanstorps JK	10					1	10	3

Matches

Match	White		Blue		Result	Time
1	Alfred HANSSON	4	5	Pontus SÖREM	10 - 0	1:17
2	Max WENDT	1	2	Olle HERMODSSON	5 - 0	3:23
3	Jan THUROW	3	4	Alfred HANSSON	10 - 0	1:31
4	Max WENDT	1	5	Pontus SÖREM	0 - 10	1:52
5	Olle HERMODSSON	2	3	Jan THUROW	0 - 10	0:12
6	Max WENDT	1	4	Alfred HANSSON	0 - 10	0:51
7	Jan THUROW	3	5	Pontus SÖREM	10 - 0	0:25
8	Olle HERMODSSON	2	4	Alfred HANSSON	0 - 10	0:56
9	Max WENDT	1	3	Jan THUROW	0 - 10	1:05
10	Olle HERMODSSON	2	5	Pontus SÖREM	7 - 0	2:00

Results

Pos	Name
1	Jan THUROW, Ueckermünde
2	Alfred HANSSON, Staffanstorps JK
3	Pontus SÖREM, Staffanstorps JK
4	Olle HERMODSSON, Lugi JK
5	Max WENDT, Växjö JK

SydCup 4 2012-11-17 Staffanstorp P13-42

Competitors: 6

Competitors

#	Name	Grade	Club	1	2	3	4	5	6	Wins	Pts	Pos
1	Emil HENRIKSSON	2.kyu	Borås JK			10	10	10	10	4	40	2
2	Carl BJÖRKLUND	3.kyu	Borås JK	1		10	10	10	5	5	36	1
3	Hannes WESSLÉN	4.kyu	Staffanstorps JK					10		1	10	5
4	Alexander NYMAN	3.kyu	Lugi JK			10		5		2	15	4
5	Elias SJÖBERG	3.kyu	Staffanstorps JK							0	0	6
6	Marek SCHOLZ	4.kyu	Ueckermünde			10	10	7		3	27	3

Matches

Match	White		Blue		Result	Time
1	Emil HENRIKSSON	1	2	Carl BJÖRKLUND	0 - 1	2:59
2	Hannes WESSLÉN	3	5	Elias SJÖBERG	10 - 0	0:16
3	Carl BJÖRKLUND	2	4	Alexander NYMAN	10 - 0	0:42
4	Emil HENRIKSSON	1	6	Marek SCHOLZ	10 - 0	1:47
5	Alexander NYMAN	4	5	Elias SJÖBERG	5 - 0	2:00
6	Carl BJÖRKLUND	2	3	Hannes WESSLÉN	10 - 0	0:13
7	Alexander NYMAN	4	6	Marek SCHOLZ	0 - 10	0:49
8	Carl BJÖRKLUND	2	5	Elias SJÖBERG	10 - 0	1:05
9	Hannes WESSLÉN	3	4	Alexander NYMAN	0 - 10	0:08
10	Emil HENRIKSSON	1	5	Elias SJÖBERG	10 - 0	2:00
11	Hannes WESSLÉN	3	6	Marek SCHOLZ	0 - 10	1:04
12	Emil HENRIKSSON	1	4	Alexander NYMAN	10 - 0	0:40
13	Elias SJÖBERG	5	6	Marek SCHOLZ	0 - 7	2:00
14	Emil HENRIKSSON	1	3	Hannes WESSLÉN	10 - 0	0:22
15	Carl BJÖRKLUND	2	6	Marek SCHOLZ	5 - 0	2:00

Results

Pos	Name
1	Carl BJÖRKLUND, Borås JK
2	Emil HENRIKSSON, Borås JK
3	Marek SCHOLZ, Ueckermünde
4	Alexander NYMAN, Lugi JK
5	Hannes WESSLÉN, Staffanstorps JK
6	Elias SJÖBERG, Staffanstorps JK

SydCup 4 2012-11-17 Staffanstorp P13-51

Competitors: 5

Competitors

#	Name	Grade	Club	1	2	3	4	5	Wins	Pts	Pos
1	Kevin TORKAR	3.kyu	Staffanstorp JK		10		5	10	3	25	2
2	Victor KARLSSON	3.kyu	Staffanstorps JK				5	10	2	15	3
3	Axel OSCARSSON	3.kyu	Lugi JK	10	10			10	3	30	1
4	Sebastian OLOFSSON	3.kyu	Staffanstorps JK			10		1	2	11	4
5	Viktor MENSNIKOV	4.kyu	Staffanstorps JK						0	0	5

Matches

Match	White		Blue		Result	Time
1	Sebastian OLOFSSON	4	5	Viktor MENSNIKOV	1 - 0	1:59
2	Kevin TORKAR	1	2	Victor KARLSSON	10 - 0	1:35
3	Axel OSCARSSON	3	4	Sebastian OLOFSSON	0 - 10	1:05
4	Kevin TORKAR	1	5	Viktor MENSNIKOV	10 - 0	1:41
5	Victor KARLSSON	2	3	Axel OSCARSSON	0 - 10	0:15
6	Kevin TORKAR	1	4	Sebastian OLOFSSON	5 - 0	2:00
7	Axel OSCARSSON	3	5	Viktor MENSNIKOV	10 - 0	0:08
8	Victor KARLSSON	2	4	Sebastian OLOFSSON	5 - 0	4:00
9	Kevin TORKAR	1	3	Axel OSCARSSON	0 - 10	0:39
10	Victor KARLSSON	2	5	Viktor MENSNIKOV	10 - 0	1:39

Results

Pos	Name
1	Axel OSCARSSON, Lugi JK
2	Kevin TORKAR, Staffanstorp JK
3	Victor KARLSSON, Staffanstorps JK
4	Sebastian OLOFSSON, Staffanstorps JK
5	Viktor MENSNIKOV, Staffanstorps JK

SydCup 4 2012-11-17 Staffanstorp P15+66

Competitors: 4

Competitors

#	Name	Grade	Club	1	2	3	4	Wins	Pts	Pos
1	Linus WERMEN	3.kyu	Lugi JK		5			1	5	2
2	Gustaf PALMBERG	3.kyu	Lugi JK					0	0	3
3	Mathias MADSEN	3.kyu	Gladsaxe Judo Klub					0	0	4
4	Ludvig ANTMAN	2.kyu	Södra Sandby JK	10	10	10		2	20	1

Matches

Match	White			Blue	Result	Time
1	Linus WERMEN	1	2	Gustaf PALMBERG	5 - 0	4:01
2	Mathias MADSEN	3	4	Ludvig ANTMAN	0 - 10	0:00
3	Linus WERMEN	1	3	Mathias MADSEN		
4	Gustaf PALMBERG	2	4	Ludvig ANTMAN	0 - 10	1:50
5	Linus WERMEN	1	4	Ludvig ANTMAN	0 - 10	1:19
6	Gustaf PALMBERG	2	3	Mathias MADSEN		

Results

Pos	Name
1	Ludvig ANTMAN, Södra Sandby JK
2	Linus WERMEN, Lugi JK
3	Gustaf PALMBERG, Lugi JK
4	Mathias MADSEN, Gladsaxe Judo Klub

SydCup 4 2012-11-17 Staffanstorps P15-38

Competitors: 5

Competitors

#	Name	Grade	Club	1	2	3	4	5	Wins	Pts	Pos
1	Hannes WESSLÉN	4.kyu	Staffanstorps JK				5		1	5	4
2	Jan THUROW	4.kyu	Ueckermünde	10		7	10		3	27	2
3	Marek SCHOLZ	4.kyu	Ueckermünde	10			10		2	20	3
4	Pontus SÖREM	4.kyu	Staffanstorps JK						0	0	5
5	Alfred HANSSON	3.kyu	Staffanstorps JK	10	1	10	10		4	31	1

Matches

Match	White		Blue		Result	Time
1	Pontus SÖREM	4	5	Alfred HANSSON	0 - 10	0:31
2	Hannes WESSLÉN	1	2	Jan THUROW	0 - 10	1:35
3	Marek SCHOLZ	3	4	Pontus SÖREM	10 - 0	1:05
4	Hannes WESSLÉN	1	5	Alfred HANSSON	0 - 10	0:52
5	Jan THUROW	2	3	Marek SCHOLZ	7 - 0	3:00
6	Hannes WESSLÉN	1	4	Pontus SÖREM	5 - 0	5:00
7	Marek SCHOLZ	3	5	Alfred HANSSON	0 - 10	1:41
8	Jan THUROW	2	4	Pontus SÖREM	10 - 0	1:16
9	Hannes WESSLÉN	1	3	Marek SCHOLZ	0 - 10	1:23
10	Jan THUROW	2	5	Alfred HANSSON	0 - 1	5:00

Results

Pos	Name
1	Alfred HANSSON, Staffanstorps JK
2	Jan THUROW, Ueckermünde
3	Marek SCHOLZ, Ueckermünde
4	Hannes WESSLÉN, Staffanstorps JK
5	Pontus SÖREM, Staffanstorps JK

SydCup 4 2012-11-17 Staffanstorps P15-42

Competitors: 6

Competitors

#	Name	Grade	Club	1	2	3	4	5	6	Wins	Pts	Pos
1	Emil HENRIKSSON	2.kyu	Borås JK				10			1	10	5
2	Gustav EDVINSSON	2.kyu	Borås JK	5		5	7	10	10	5	37	1
3	Jacob JOHANSSON	3.kyu	Borås JK	5			10		10	3	25	3
4	Vincent BANNURA	2.kyu	Staffanstorps JK							0	0	6
5	Carl BJÖRKLUND	3.kyu	Borås JK	10		10	1		5	4	26	2
6	Oliver REMGARD	2.kyu	Staffanstorps JK	10			1			2	11	4

Matches

Match	White		Blue		Result	Time
1	Emil HENRIKSSON	1	2	Gustav EDVINSSON	0 - 5	3:00
2	Jacob JOHANSSON	3	5	Carl BJÖRKLUND	0 - 10	4:53
3	Gustav EDVINSSON	2	4	Vincent BANNURA	7 - 0	3:00
4	Emil HENRIKSSON	1	6	Oliver REMGARD	0 - 10	1:42
5	Vincent BANNURA	4	5	Carl BJÖRKLUND	0 - 1	5:00
6	Gustav EDVINSSON	2	3	Jacob JOHANSSON	5 - 0	3:00
7	Vincent BANNURA	4	6	Oliver REMGARD	0 - 1	5:00
8	Gustav EDVINSSON	2	5	Carl BJÖRKLUND	10 - 0	3:00
9	Jacob JOHANSSON	3	4	Vincent BANNURA	10 - 0	1:33
10	Emil HENRIKSSON	1	5	Carl BJÖRKLUND	0 - 10	2:50
11	Jacob JOHANSSON	3	6	Oliver REMGARD	10 - 0	0:37
12	Emil HENRIKSSON	1	4	Vincent BANNURA	10 - 0	0:00
13	Carl BJÖRKLUND	5	6	Oliver REMGARD	5 - 0	3:19
14	Emil HENRIKSSON	1	3	Jacob JOHANSSON	0 - 5	3:00
15	Gustav EDVINSSON	2	6	Oliver REMGARD	10 - 0	2:20

Results

Pos	Name
1	Gustav EDVINSSON, Borås JK
2	Carl BJÖRKLUND, Borås JK
3	Jacob JOHANSSON, Borås JK
4	Oliver REMGARD, Staffanstorps JK
5	Emil HENRIKSSON, Borås JK
6	Vincent BANNURA, Staffanstorps JK

SydCup 4 2012-11-17 Staffanstorp P15-55

Competitors: 8

Competitors A

#	Name	Grade	Club	1	2	3	4	Wins	Pts	Pos
1	Lucas HERNANDEZ	2.kyu	Staffanstorps JK					0	0	3
2	Carl EDVINSSON	1.kyu	Borås JK	10				1	10	2
3	Alex MEIER	3.kyu	KSV Grimmene.V.	10	10			2	20	1
4	Marcus JEPPESEN	2.kyu	Gladsaxe Judo Klub					0	0	4

Matches A

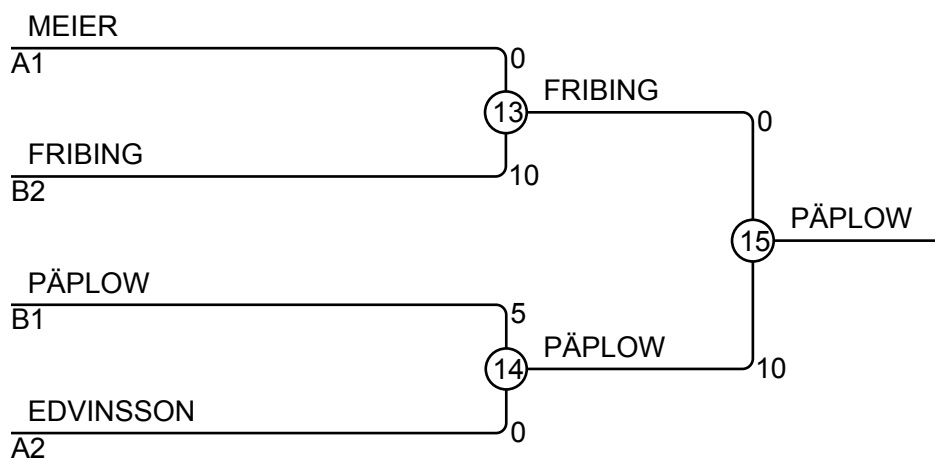
Match	White	Blue	Result	Time
1	Lucas HERNANDEZ 1 2	Carl EDVINSSON	0 - 10	0:32
3	Alex MEIER 3 4	Marcus JEPPESEN		
5	Lucas HERNANDEZ 1 3	Alex MEIER	0 - 10	2:59
7	Carl EDVINSSON 2 4	Marcus JEPPESEN		
9	Lucas HERNANDEZ 1 4	Marcus JEPPESEN		
11	Carl EDVINSSON 2 3	Alex MEIER	0 - 10	0:17

Competitors B

#	Name	Grade	Club	5	6	7	8	Wins	Pts	Pos
5	Paul PÄPLOW	3.kyu	KSV Grimmene.V.		10	10	10	3	30	1
6	Oscar FRIBING	2.kyu	Staffanstorps JK			10	10	2	20	2
7	Daniel HOLMQVIST	3.kyu	Kristianstad JK					0	0	4
8	Samuel SJÖLANDER	3.kyu	GF Idrott Judosek			10		1	10	3

Matches B

Match	White	Blue	Result	Time
2	Paul PÄPLOW 5 6	Oscar FRIBING	10 - 0	0:26
4	Daniel HOLMQVIST 7 8	Samuel SJÖLANDER	0 - 10	2:30
6	Paul PÄPLOW 5 7	Daniel HOLMQVIST	10 - 0	1:01
8	Oscar FRIBING 6 8	Samuel SJÖLANDER	10 - 0	3:00
10	Paul PÄPLOW 5 8	Samuel SJÖLANDER	10 - 0	1:49
12	Oscar FRIBING 6 7	Daniel HOLMQVIST	10 - 0	0:27



Results

Pos	Name
1	Paul PÄPLOW, KSV Grimmene.V.
2	Oscar FRIBING, Staffanstorps JK
3	Alex MEIER, KSV Grimmene.V.
3	Carl EDVINSSON, Borås JK

SydCup 4 2012-11-17 Staffanstorp P15-60

Competitors: 3

Competitors

#	Name	Grade	Club	1	2	3	Wins	Pts	Pos
1	Ivar BJÖRKQVIST	3.kyu	Staffanstorps JK				0	0	3
2	Dan JOHANSSON	4.kyu	Borås JK	10		5	2	15	1
3	Theodor MALMQVIST	3.kyu	Varbergs JK	7			1	7	2

Matches

Match	White			Blue	Result	Time
1	Ivar BJÖRKQVIST	1	2	Dan JOHANSSON	0 - 10	0:43
2	Ivar BJÖRKQVIST	1	3	Theodor MALMQVIST	0 - 7	3:00
3	Dan JOHANSSON	2	3	Theodor MALMQVIST	5 - 0	3:00

Results

Pos	Name
1	Dan JOHANSSON, Borås JK
2	Theodor MALMQVIST, Varbergs JK
3	Ivar BJÖRKQVIST, Staffanstorps JK

SydCup 4 2012-11-17 Staffanstorp P15-66

Competitors: 3

Competitors

#	Name	Grade	Club	1	2	3	Wins	Pts	Pos
1	Johan HENNINGSSON	3.kyu	Lugi JK				0	0	3
2	Mattias JOHANSSON	2.kyu	Lugi JK	5		10	2	15	1
3	Dennis STRAND	3.kyu	Staffanstorps JK	10			1	10	2

Matches

Match	White			Blue	Result	Time
1	Johan HENNINGSSON	1	2	Mattias JOHANSSON	0 - 5	3:00
2	Johan HENNINGSSON	1	3	Dennis STRAND	0 - 10	1:38
3	Mattias JOHANSSON	2	3	Dennis STRAND	10 - 0	1:03

Results

Pos	Name
1	Mattias JOHANSSON, Lugi JK
2	Dennis STRAND, Staffanstorps JK
3	Johan HENNINGSSON, Lugi JK

SydCup 4 2012-11-17 Staffanstorps P17+81

Competitors: 4

Competitors

#	Name	Grade	Club	1	2	3	4	Wins	Pts	Pos
1	Armin DIDIC	1.kyu	Staffanstorps JK		10		10	2	20	2
2	Tim NORDSTRÖM	1.kyu	Staffanstorps JK				10	1	10	3
3	Carlo STÜHLE	2.kyu	KSV Grimmene.V.	10	10		10	3	30	1
4	Mathias MADSEN	3.kyu	Gladsaxe Judo Klub					0	0	4

Matches

Match	White		Blue		Result	Time
1	Armin DIDIC	1	2	Tim NORDSTRÖM	10 - 0	0:54
2	Carlo STÜHLE	3	4	Mathias MADSEN	10 - 0	0:31
3	Armin DIDIC	1	3	Carlo STÜHLE	0 - 10	2:12
4	Tim NORDSTRÖM	2	4	Mathias MADSEN	10 - 0	0:23
5	Armin DIDIC	1	4	Mathias MADSEN	10 - 0	0:00
6	Tim NORDSTRÖM	2	3	Carlo STÜHLE	0 - 10	1:17

Results

Pos	Name
1	Carlo STÜHLE, KSV Grimmene.V.
2	Armin DIDIC, Staffanstorps JK
3	Tim NORDSTRÖM, Staffanstorps JK
4	Mathias MADSEN, Gladsaxe Judo Klub

SydCup 4 2012-11-17 Staffanstorp P17-55

Competitors: 9

Competitors A

#	Name	Grade	Club	1	2	3	4	5	Wins	Pts	Pos
1	Paul PÄPLOW	3.kyu	KSV Grimmene.V.			10	10	10	3	30	2
2	Oskar JASKARI	2.kyu	Olofströms JK	7		10	10	10	4	37	1
3	Alex MEIER	3.kyu	KSV Grimmene.V.					10	1	10	4
4	Marcus JEPPESEN	2.kyu	Gladsaxe Judo Klub			7		10	2	17	3
5	Eric RÖSSEL	2.kyu	JK National						0	0	5

Matches A

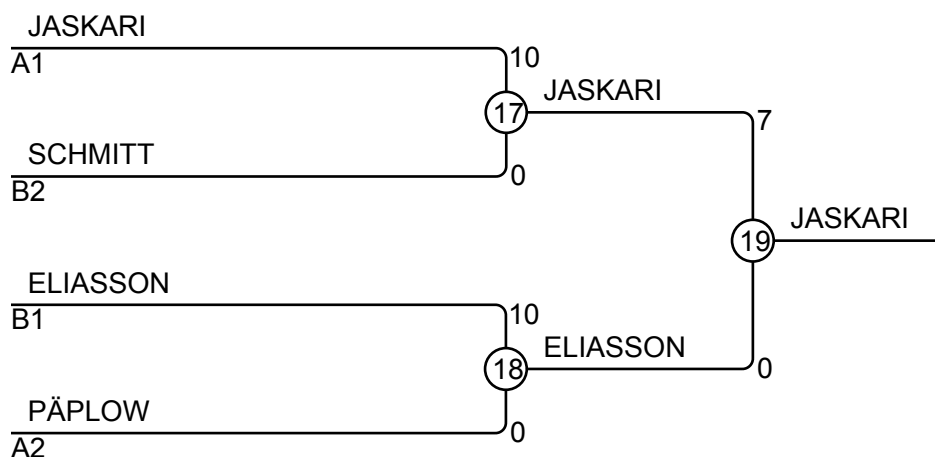
Match	White	Blue	Result	Time
1	Marcus JEPPESEN 4	Eric RÖSSEL 5	10 - 0	2:11
2	Paul PÄPLOW 1	Oskar JASKARI 2	0 - 7	3:00
4	Alex MEIER 3	Marcus JEPPESEN 4	0 - 7	3:00
5	Paul PÄPLOW 1	Eric RÖSSEL 5	10 - 0	1:01
7	Oskar JASKARI 2	Alex MEIER 3	10 - 0	1:48
9	Paul PÄPLOW 1	Marcus JEPPESEN 4	10 - 0	1:34
10	Alex MEIER 3	Eric RÖSSEL 5	10 - 0	1:01
12	Oskar JASKARI 2	Marcus JEPPESEN 4	10 - 0	0:00
13	Paul PÄPLOW 1	Alex MEIER 3	10 - 0	1:04
15	Oskar JASKARI 2	Eric RÖSSEL 5	10 - 0	0:16

Competitors B

#	Name	Grade	Club	6	7	8	9	Wins	Pts	Pos
6	Johan ELIASSON	2.kyu	GF Idrott Judosek		10	10	10	3	30	1
7	Carl EDVINSSON	1.kyu	Borås JK			7		1	7	3
8	Daniel PAHLMARK	3.kyu	Kristianstad JK					0	0	4
9	Maximilian SCHMITT	4.kyu	KSV Grimmene.V.		1	5		2	6	2

Matches B

Match	White	Blue	Result	Time
3	Johan ELIASSON 6	Carl EDVINSSON 7	10 - 0	1:22
6	Daniel PAHLMARK 8	Maximilian SCHMITT 9	0 - 5	3:00
8	Johan ELIASSON 6	Daniel PAHLMARK 8	10 - 0	1:32
11	Carl EDVINSSON 7	Maximilian SCHMITT 9	0 - 1	5:00
14	Johan ELIASSON 6	Maximilian SCHMITT 9	10 - 0	0:18
16	Carl EDVINSSON 7	Daniel PAHLMARK 8	7 - 0	3:00



Results

Pos	Name
1	Oskar JASKARI, Olofströms JK
2	Johan ELIASSON, GF Idrott Judosek
3	Maximilian SCHMITT, KSV Grimmene.V.
3	Paul PÄPLOW, KSV Grimmene.V.

SydCup 4 2012-11-17 Staffanstorp P17-60

Competitors: 5

Competitors

#	Name	Grade	Club	1	2	3	4	5	Wins	Pts	Pos
1	William WILTGREN JOHNSON	1.kyu	Staffanstorps JK				10		1	10	4
2	Willam BJÖRKLUND	1.kyu	Borås JK	5			10	10	3	25	2
3	Ole PREHS	2.kyu	KSV Grimmene.V.	10	10		10	10	4	40	1
4	Joel ÅHLUND	2.kyu	JK National						0	0	5
5	Martin NILSSON	2.kyu	JK National	10			5		2	15	3

Matches

Match	White		Blue		Result	Time
1	Joel ÅHLUND	4	5	Martin NILSSON	0 - 5	3:00
2	William WILTGREN JOHNSON	1	2	Willam BJÖRKLUND	0 - 5	0:23
3	Ole PREHS	3	4	Joel ÅHLUND	10 - 0	2:02
4	William WILTGREN JOHNSON	1	5	Martin NILSSON	0 - 10	1:19
5	Willam BJÖRKLUND	2	3	Ole PREHS	0 - 10	1:12
6	William WILTGREN JOHNSON	1	4	Joel ÅHLUND	10 - 0	2:57
7	Ole PREHS	3	5	Martin NILSSON	10 - 0	0:51
8	Willam BJÖRKLUND	2	4	Joel ÅHLUND	10 - 0	0:40
9	William WILTGREN JOHNSON	1	3	Ole PREHS	0 - 10	3:00
10	Willam BJÖRKLUND	2	5	Martin NILSSON	10 - 0	2:16

Results

Pos	Name
1	Ole PREHS, KSV Grimmene.V.
2	Willam BJÖRKLUND, Borås JK
3	Martin NILSSON, JK National
4	William WILTGREN JOHNSON, Staffanstorps JK
5	Joel ÅHLUND, JK National

SydCup 4 2012-11-17 Staffanstorp P17-66

Competitors: 3

Competitors

#	Name	Grade	Club	1	2	3	Wins	Pts	Pos
1	Johan HENNINGSSON	3.kyu	Lugi JK				0	0	3
2	Mattias JOHANSSON	2.kyu	Lugi JK	10			1	10	2
3	Viktor SMEDBERG	1.dan	Staffanstorps JK	10	10		2	20	1

Matches

Match	White			Blue	Result	Time
1	Johan HENNINGSSON	1	2	Mattias JOHANSSON	0 - 10	0:11
2	Johan HENNINGSSON	1	3	Viktor SMEDBERG	0 - 10	0:48
3	Mattias JOHANSSON	2	3	Viktor SMEDBERG	0 - 10	0:50

Results

Pos	Name
1	Viktor SMEDBERG, Staffanstorps JK
2	Mattias JOHANSSON, Lugi JK
3	Johan HENNINGSSON, Lugi JK

SydCup 4 2012-11-17 Staffanstorp P17-73

Competitors: 6

Competitors

#	Name	Grade	Club	1	2	3	4	5	6	Wins	Pts	Pos
1	Philipp PIETSCHMANN	1.kyu	KSV Grimmene.V.		10		5			1	5	4
2	Lukas PETERS	4.kyu	KSV Grimmene.V.				10			0	0	6
3	Tor HERMANSEN	3.kyu	Gladsaxe Judo Klub	10	10		10			2	20	3
4	Marcus OLSSON	3.kyu	Olofströms JK							0	0	5
5	Oliver sachse SKRUBBELTRANG	1.kyu	Helsingør Judo & Ju-Jutsu Klub	10	10	10	10			3	30	2
6	Christoffer AHL	1.kyu	Staffanstorps JK	10		10	10	10		4	40	1

Matches

Match	White		Blue		Result	Time
1	Philipp PIETSCHMANN	1	2	Lukas PETERS	10 - 0	0:50
2	Tor HERMANSEN	3	5	Oliver sachse SKRUBBELTRANG	0 - 10	0:15
3	Lukas PETERS	2	4	Marcus OLSSON	10 - 0	0:18
4	Philipp PIETSCHMANN	1	6	Christoffer AHL	0 - 10	2:53
5	Marcus OLSSON	4	5	Oliver sachse SKRUBBELTRANG	0 - 10	0:39
6	Lukas PETERS	2	3	Tor HERMANSEN	0 - 10	3:55
7	Marcus OLSSON	4	6	Christoffer AHL	0 - 10	4:21
8	Lukas PETERS	2	5	Oliver sachse SKRUBBELTRANG	0 - 10	0:00
9	Tor HERMANSEN	3	4	Marcus OLSSON	10 - 0	2:41
10	Philipp PIETSCHMANN	1	5	Oliver sachse SKRUBBELTRANG	0 - 10	2:37
11	Tor HERMANSEN	3	6	Christoffer AHL	0 - 10	2:26
12	Philipp PIETSCHMANN	1	4	Marcus OLSSON	5 - 0	3:00
13	Oliver sachse SKRUBBELTRANG	5	6	Christoffer AHL	0 - 10	2:40
14	Philipp PIETSCHMANN	1	3	Tor HERMANSEN	0 - 10	2:27
15	Lukas PETERS	2	6	Christoffer AHL		

Results

Pos	Name
1	Christoffer AHL, Staffanstorps JK
2	Oliver sachse SKRUBBELTRANG, Helsingør Judo & Ju-Jutsu Klub
3	Tor HERMANSEN, Gladsaxe Judo Klub
4	Philipp PIETSCHMANN, KSV Grimmene.V.
5	Marcus OLSSON, Olofströms JK
6	Lukas PETERS, KSV Grimmene.V.

SydCup 4 2012-11-17 Staffanstorp Strukna

Competitors: 0